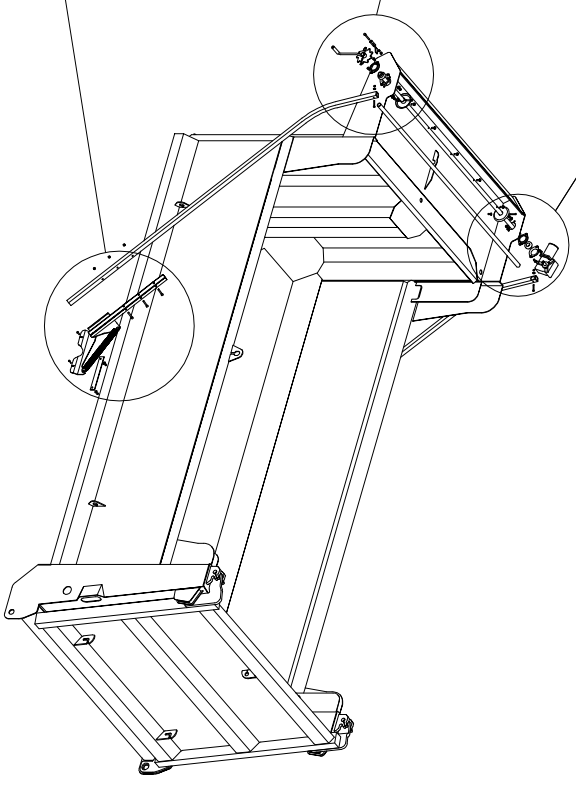
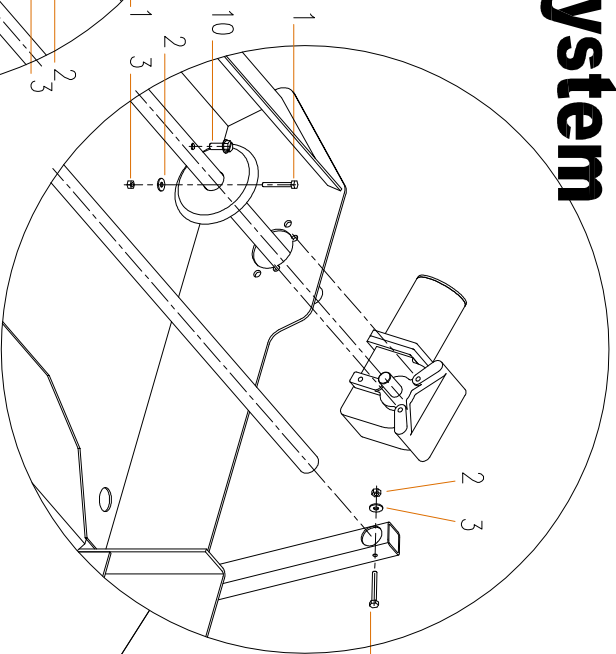
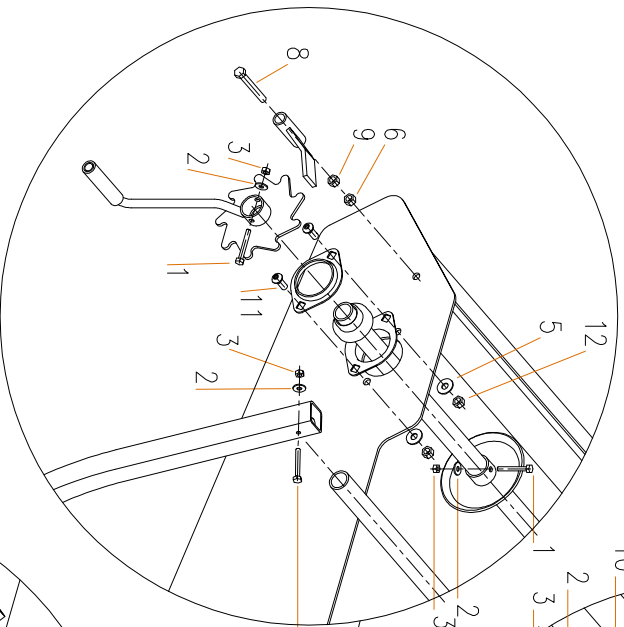


Electric Tarp System

Hardware

- 1 HEX BOLT 1/4-20NC x 2" LG.
- 2 FLAT WASHER 1/4"Ø
- 3 LOCK NUT 1/4"Ø
- 4 HEX BOLT 3/8-16NC x 1 1/4" LG.
- 5 FLAT WASHER 3/8"Ø
- 6 LOCK NUT 3/8"Ø
- 7 HEX BOLT 3/8-16NC x 2 1/2" LG.
- 8 HEX BOLT 3/8-16NC x 3" LG.
- 9 HEX NUT 3/8"Ø
- 10 METAL SCREW 3/8-16NC x 1" LG.
- 11 CARRIAGE BOLT 3/8-16NC x 1" LG.
- 12 LOCK NUT 3/8"Ø



WELD THIS BRACKET UNDER THE BODY SIDE