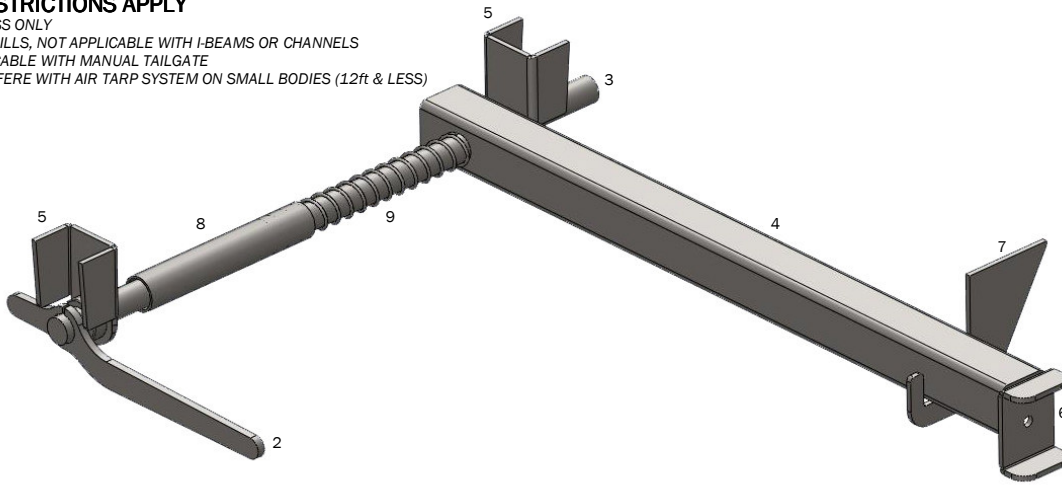


**SOME RESTRICTIONS APPLY**

- 12in RECESS ONLY
- REGULAR SILLS, NOT APPLICABLE WITH I-BEAMS OR CHANNELS
- NOT APPLICABLE WITH MANUAL TAILGATE
- MAY INTERFERE WITH AIR TARP SYSTEM ON SMALL BODIES (12ft & LESS)



**1 SINGLE INTEGRATED BODY PROP**

COMPLETE KIT	11-07-0001
--------------	------------

**2 HANDLE**

	11-07-0005
--	------------

**3 SHAFT**

1-1/4in DIA. X 31in LG. SHAFT	11-07-0001-1
-------------------------------	--------------

**4 LEG**

2-1/2inX2-1/2inX3/16inX36in LG. SQUARE TUBE	11-07-0002-1
---	--------------

**5 SHAFT SUPPORT**

	11-07-0015-2
--	--------------

**6 HANGER BRACKET**

	11-07-0006
--	------------

**7 LEG SUPPORT**

	11-07-0004
--	------------

**8 CROSS TUBE**

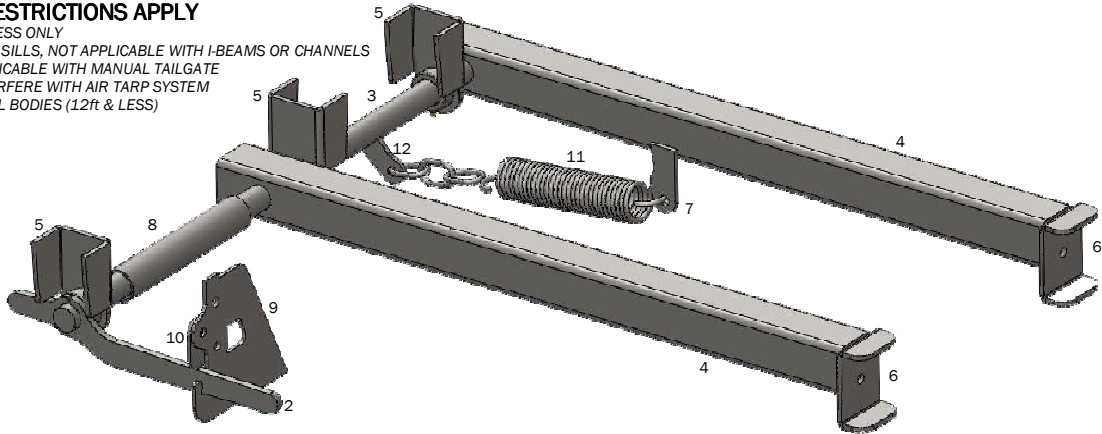
1.44in ID X 1.66in OD X 9-1/2in LG.	11-07-0001-2
-------------------------------------	--------------

**9 SPRING**

	15-07-0030
--	------------

**SOME RESTRICTIONS APPLY**

- 12in RECESS ONLY
- REGULAR SILLS, NOT APPLICABLE WITH I-BEAMS OR CHANNELS
- NOT APPLICABLE WITH MANUAL TAILGATE
- MAY INTERFERE WITH AIR TARP SYSTEM ON SMALL BODIES (12ft & LESS)



**1 DOUBLE INTEGRATED BODY PROP/8in SILLS**

	COMPLETE KIT	11-07-0015
--	--------------	------------

**2 HANDLE**

		11-07-0005
--	--	------------

**3 SHAFT**

	1-1/4in X 35in LG. SHAFT	11-07-0015-3
--	--------------------------	--------------

**4 LEG**

	2-1/2inX2-1/2inX3/16inX36in LG. SQUARE TUBE	11-07-0002-1
--	---	--------------

**5 SHAFT SUPPORT**

		11-07-0015-2
--	--	--------------

**6 HANGER BRACKET**

		11-07-0006
--	--	------------

**7 SPRING ATTACH**

		11-07-0015-4
--	--	--------------

**8 CROSS TUBE**

	1.44in ID X 1.66in OD X 9-1/2in LG.	11-07-0001-2
--	-------------------------------------	--------------

**9 HANDLE GUIDE**

		11-07-0018
--	--	------------

**10 HANDLE LOCK**

		11-07-0018-1
--	--	--------------

**11 SPRING**

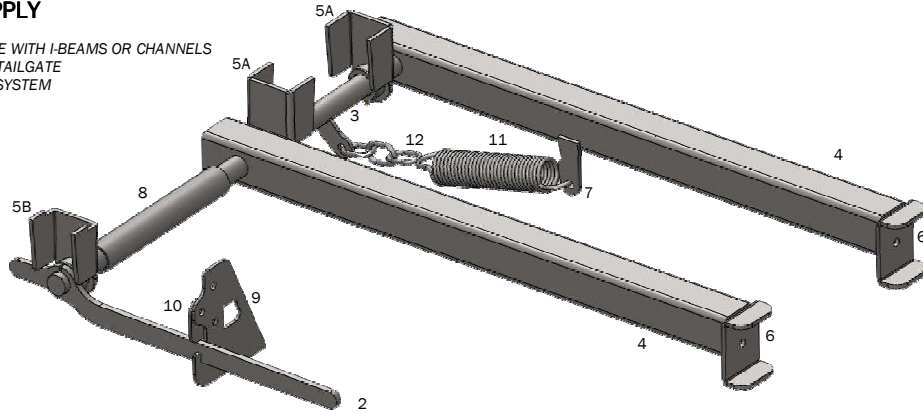
		15-07-0048
--	--	------------

**12 CHAIN**

		15-07-0049-1
--	--	--------------

**SOME RESTRICTIONS APPLY**

- 12in RECESS ONLY
- REGULAR SILLS, NOT APPLICABLE WITH I-BEAMS OR CHANNELS
- NOT APPLICABLE WITH MANUAL TAILGATE
- MAY INTERFERE WITH AIR TARP SYSTEM ON SMALL BODIES (12ft & LESS)



**1 DOUBLE INTEGRATED BODY PROP/10in SILLS**

	COMPLETE KIT	11-07-0020
--	--------------	------------

**2 HANDLE**

		11-07-0020-6
--	--	--------------

**3 SHAFT**

	1-1/4in X 33-9/16in LG. SHAFT	11-07-0020-5
--	-------------------------------	--------------

**4 LEG**

	2-1/2inX2-1/2inX3/16inX36in LG. SQUARE TUBE	11-07-0002-1
--	---	--------------

**5 SHAFT SUPPORT**

5A	INSIDE SILLS	11-07-0015-2
5B	OUTSIDE SILL DRIVER'S SIDE	11-07-0020-3

**6 HANGER BRACKET**

		11-07-0006
--	--	------------

**7 SPRING ATTACH**

		11-07-0015-4
--	--	--------------

**8 CROSS TUBE**

	1.44in ID X 1.66in OD X 11in LG.	11-07-0020-2
--	----------------------------------	--------------

**9 HANDLE GUIDE**

		11-07-0020-1
--	--	--------------

**10 HANDLE LOCK**

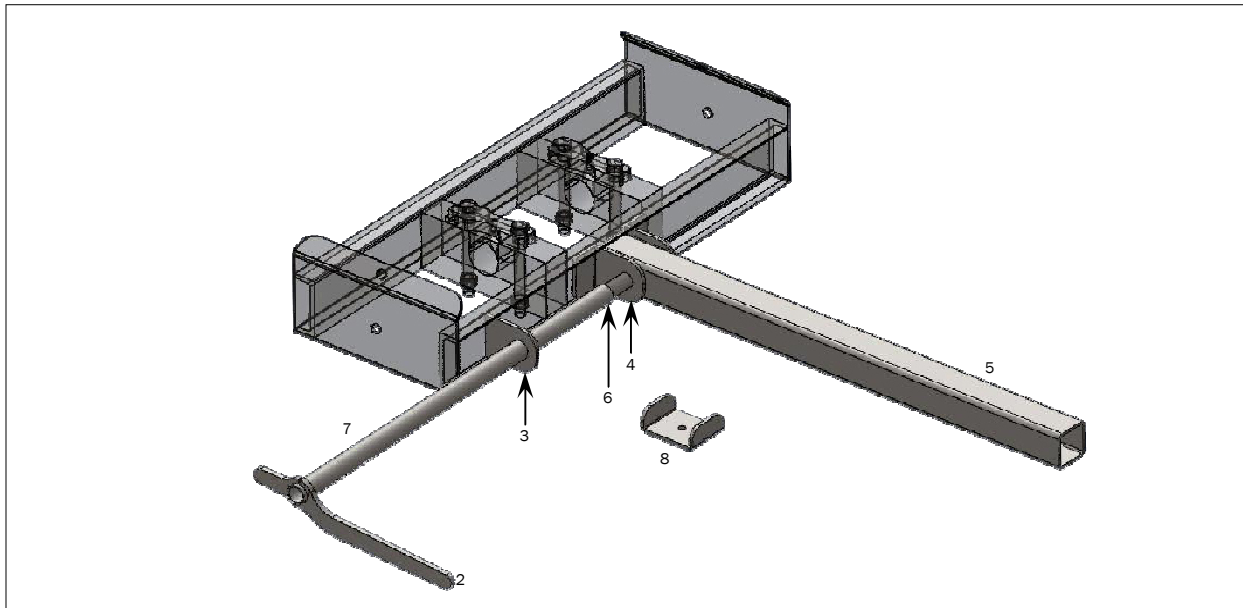
		11-07-0018-1
--	--	--------------

**11 SPRING**

		15-07-0048
--	--	------------

**12 CHAIN**

		15-07-0049-1
--	--	--------------



**1 COMPLETE LOOSE BODY PROP KIT**

		11-07-0010
--	--	------------

**2 HANDLE**

		11-07-0005
--	--	------------

**3 SHAFT SUPPORT**

		11-07-0013
--	--	------------

**4 LEG SUPPORT**

		11-07-0012
--	--	------------

**5 LEG**

	2-1/2inX2-1/2inX3/16inX36in LG. SQUARE TUBE	11-07-0011
--	---	------------

**6 SHAFT**

	1in DIA. X 7in LG. SHAFT	11-07-0010-1
--	--------------------------	--------------

**7 SHAFT EXTENSION**

	1-1/16in ID X 1-1/4in OD X 30in LG. TUBE	11-07-0017
--	--	------------

**8 HANGER BRACKET**

		11-07-0006
--	--	------------