

1 CYLINDER BLOCK

1A	6-8T / FOR MAILHOT & HYVA CYLINDER (DRIVER SIDE/HELPER SIDE)	11-02-0001
1B	24T / FOR MAILHOT & HYVA CYLINDER (DRIVER SIDE/HELPER SIDE)	11-02-0002
1C	35T / FOR MAILHOT & HYVA CYLINDER (DRIVER SIDE/HELPER SIDE)	11-02-0003
1D	45T / FOR MAILHOT & HYVA CYLINDER (DRIVER SIDE/HELPER SIDE)	11-02-0004
1E	50T / FOR MAILHOT & HYVA CYLINDER (DRIVER SIDE/HELPER SIDE)	11-02-0005
1F	50T / FOR HYVA CYLINDER ONLY (DRIVER SIDE/HELPER SIDE/(2) BRACKET #11-02-0044 INCLUDED)	11-02-0043

2 INSIDE CYLINDER BLOCK BRACKET

2A	8 TO 50T / FOR MAILHOT & HYVA CILINDER (DRIVER SIDE / HELPER SIDE)	11-02-0018
2B	50T / FOR HYVA CYLINDER ONLY (DRIVER SIDE/HELPER SIDE)	11-02-0044

3 OUTSIDE CYLINDER BLOCK BRACKET

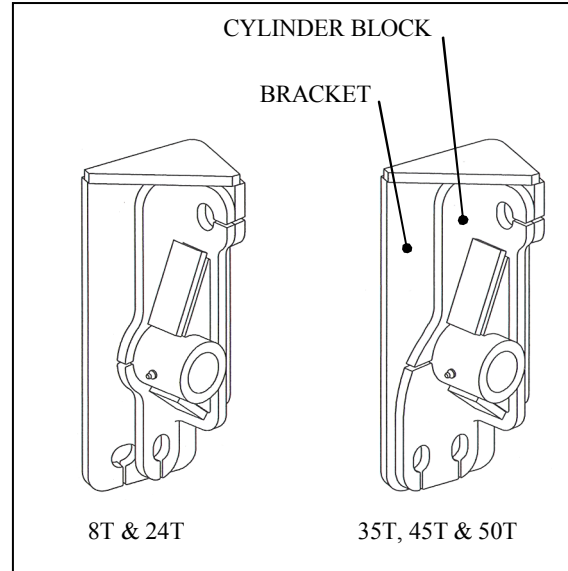
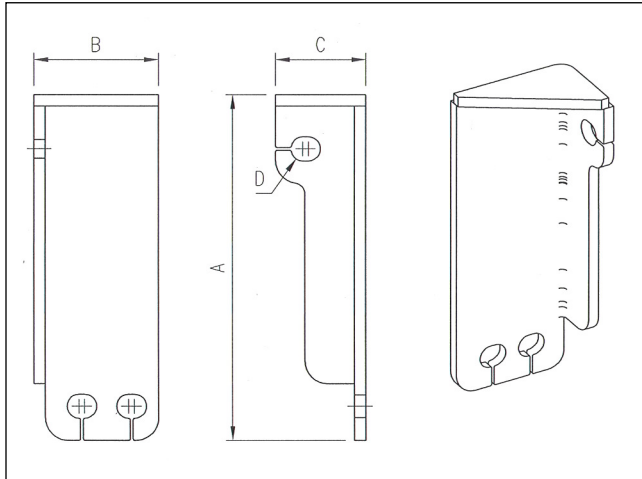
3A	CYLINDER BLOCK BRACKET	11-02-0025
3B	3/8in DUMP BODY GUIDE (CYLINDER BASE EXCLUDED)	10-01-0026-1

4 HARDWARE

4A	6-8T / (4) HEX. BOLTS 1-8NC X 2-1/2in LG. & NUTS	15-05-0002-4
4B	24T TO 50T / (6) HEX. BOLTS 1-8NC X 2-1/2in LG. & NUTS	15-05-0002-6

CYLINDER BLOCK BRACKET

A	B	C	D
15 1/4"	5 1/2"	4"	1 1/16"



CYLINDER BLOCK

Tons	A	B	C	D	E	F	G
6-8	14 3/8"	3 15/16"	4"	1 7/8"	1 1/16"	4 9/16"	3 13/16"
24	14 3/8"	4 3/16"	4"	1 7/8"	1 1/16"	3 15/16"	3 1/2"
35	14 3/8"	4 15/16"	4 5/8"	1 7/8"	1 1/16"	3 7/16"	3 1/2"
45	14 3/8"	4 15/16"	5 7/8"	2 1/4"	1 1/16"	2 7/8"	3 1/2"
50	14 3/8"	6 1/4"	7 7/8"	2 1/4"	1 1/16"	1 15/16"	3 1/2"

